

Down & Through

RULES: Practical Shooting Handbook, Latest Edition **COURSE DESIGNER:** Joe Moran

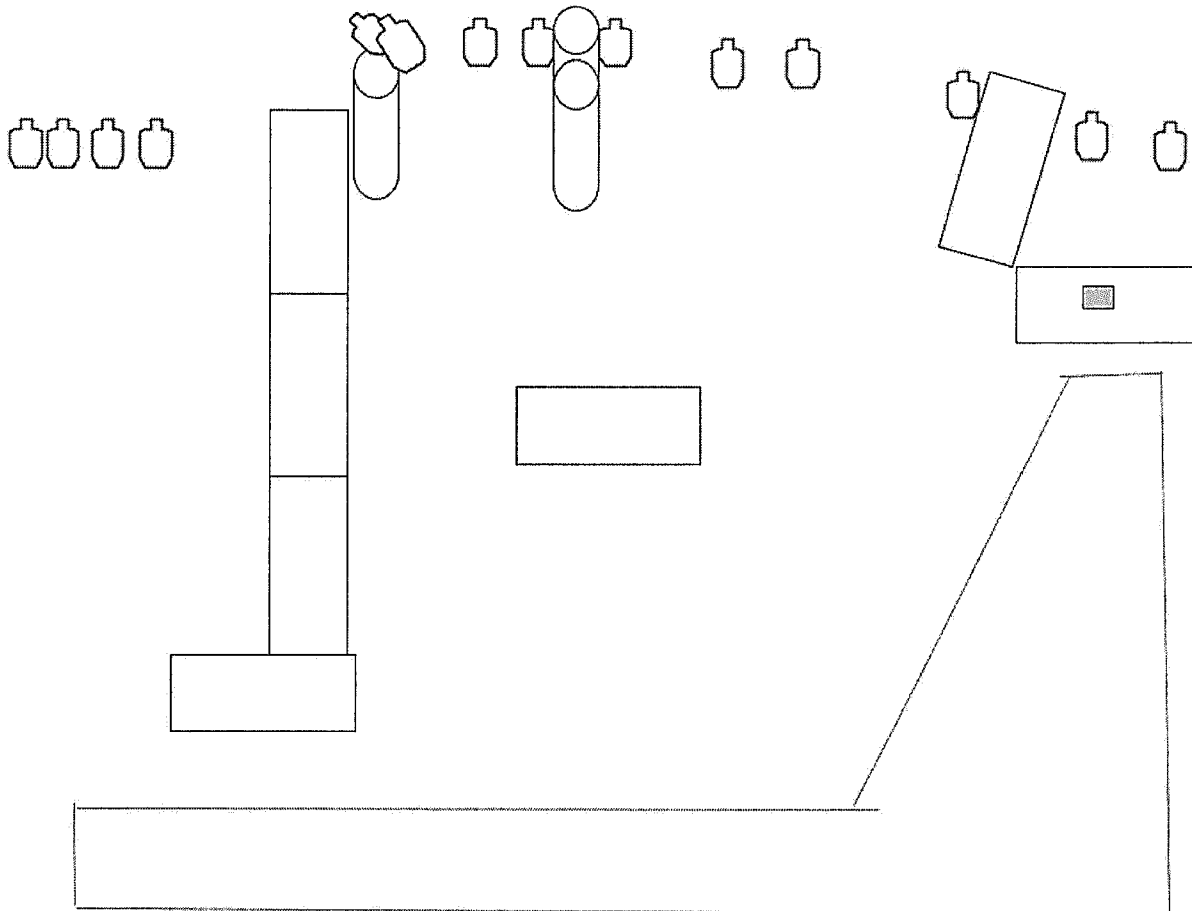
START POSITION: Feet on XX, handgun is loader and holstered per 8.1.1, 8.1.2 PCC held with stock touching belt

STAGE PROCEDURE

On signal engage targets as they become visible from within fault lines.

SCORING

SCORING: Comstock, 28 rounds , 140 points
TARGETS: 14 IPSC, 1 PP,
SCORED HITS: Best 2 per IPSC, steel down = 1A
START-STOP: Audible - Last shot
PENALTIES: Procedural. -10
No-shoot hit. -10
Miss. -10



XX

Set up notes:

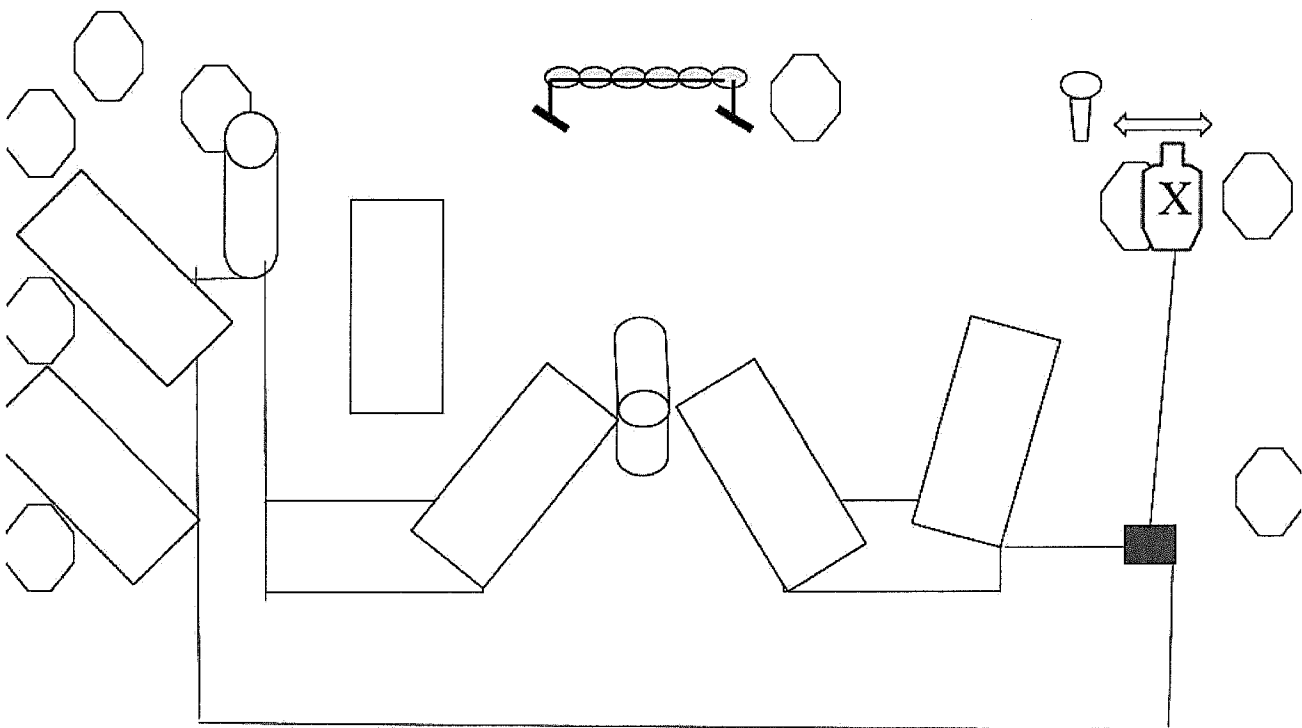
RO Notes:

Turtles

RULES: Practical Shooting Handbook, Latest Edition **COURSE DESIGNER:** Joe Moran

START POSITION: Feet inside fault lines, handgun is loader and holstered per 8.1.1, 8.1.2 PCC held with stock touching belt

STAGE PROCEDURE	SCORING
On signal engage targets as they become visible from within fault lines.	SCORING: Comstock, 25 rounds, 125 points TARGETS: 9 IPSC, 1 PP, 6 Plates SCORED HITS: Best 2 per IPSC, steel down = 1A START-STOP: Audible - Last shot PENALTIES: Procedural. -10 No-shoot hit. -10 Miss. -10



Set up notes:

RO Notes:

RULES: Practical Shooting Handbook, Latest Edition **COURSE DESIGNER:** Mike Nakpairat

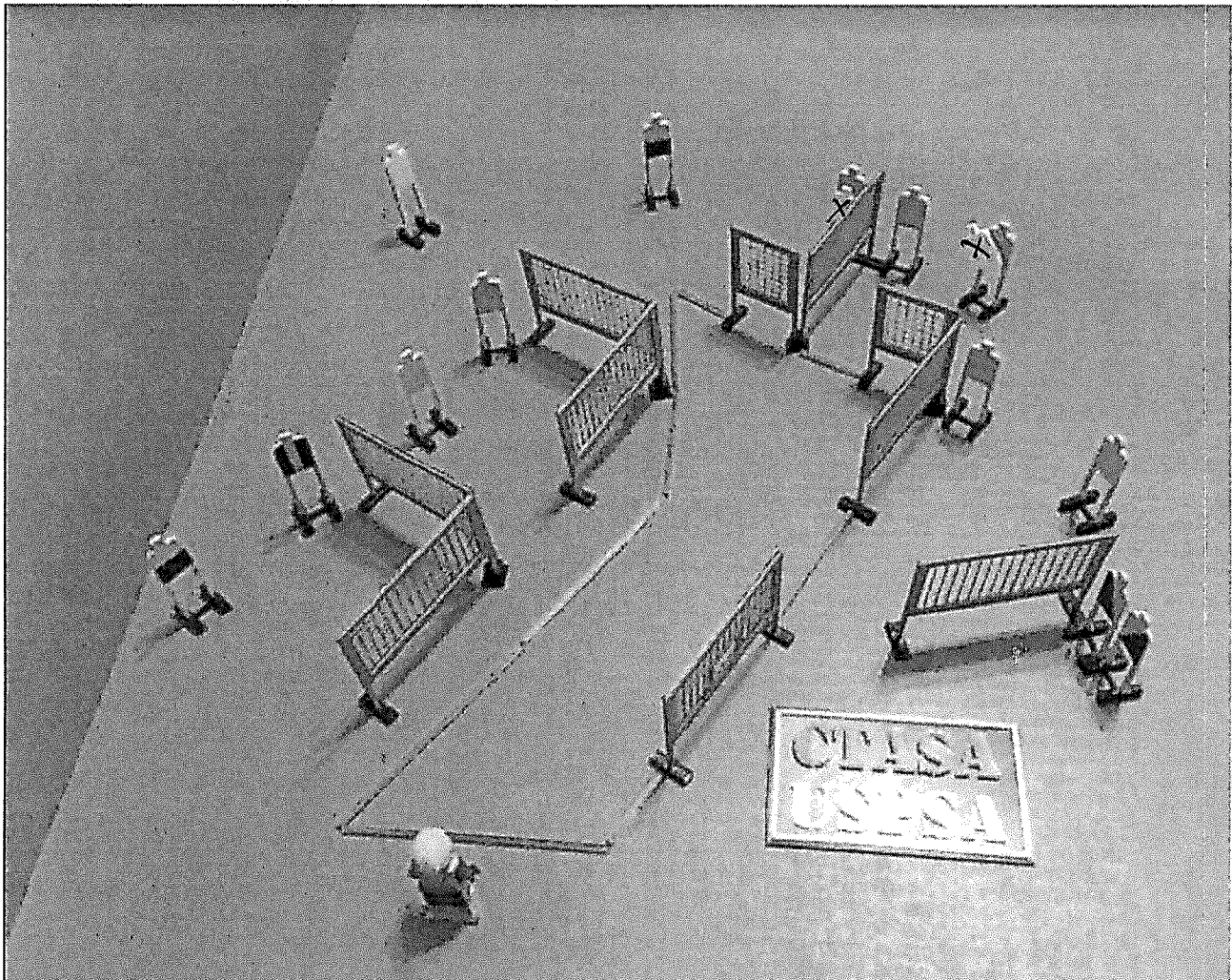
START POSITION: Feet outside fault lines, handgun is loader and holstered per 8.1.1, 8.1.2 PCC held with stock touching belt

STAGE PROCEDURE

On signal engage targets as they become visible from within fault lines.

SCORING

SCORING: Comstock, 26 rounds , 130 points
TARGETS: 13 IPSC,
SCORED HITS: Best 2 per IPSC, steel down = 1A
START-STOP: Audible - Last shot
PENALTIES: Procedural. -10
No-shoot hit. -10
Miss. -10



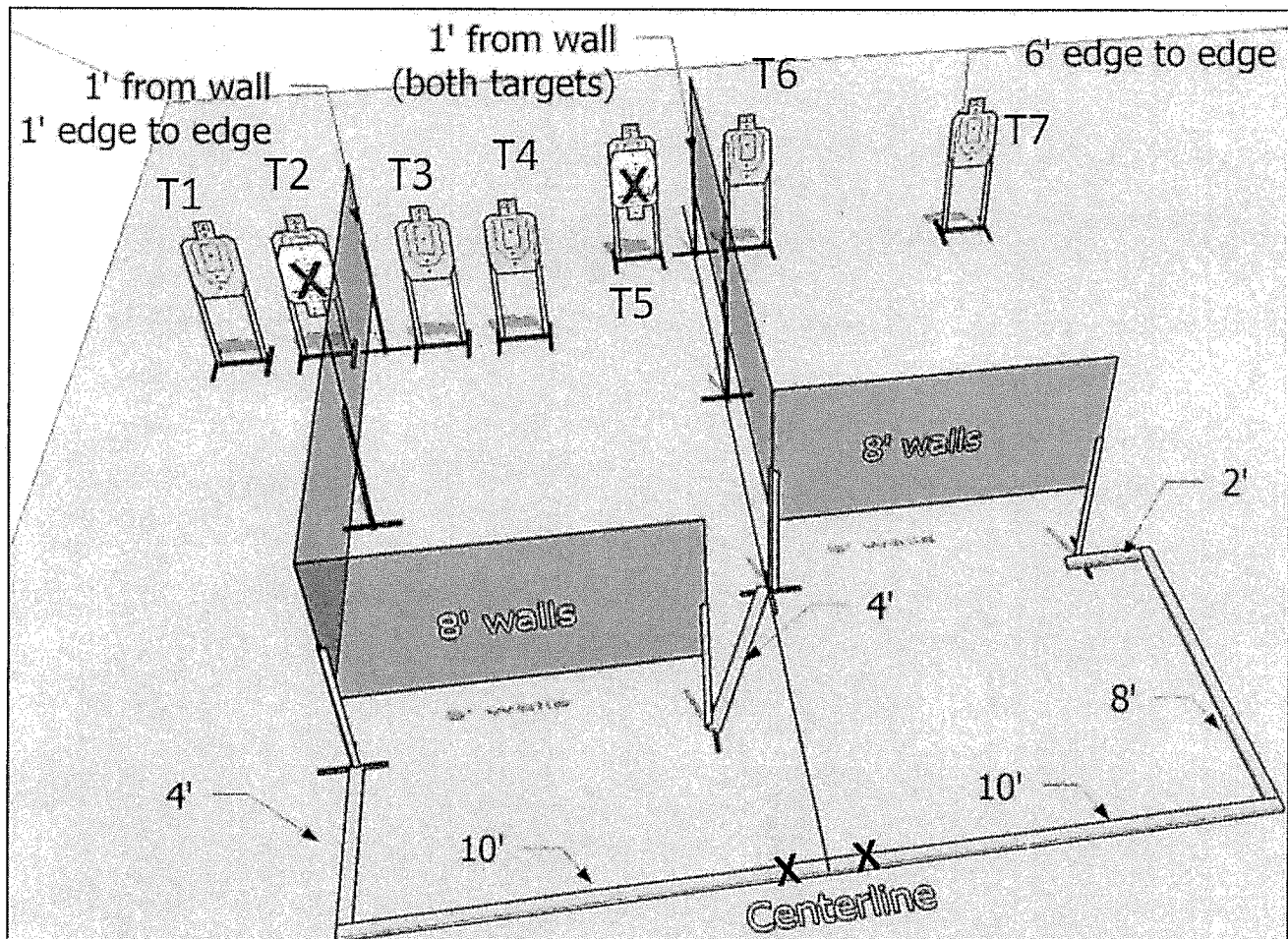


CM 22-07

Cross Road Blues

Set-up Notes

- All targets are 5 feet to top of head
- No-Shoots are inverted, 8 inches down from the top of the shoulder
- Rear fault line is 20 feet wide
- T2, T3, T5, T6 are 1 foot from wall
- T1-T2 and T3-T4 are 20 feet downrange from rear fault line
- T5 and T6-T7 are 24 feet downrange from rear fault line





CM 22-07

Cross Road Blues

Written Stage Briefing

Cross Road Blues is a 14 round Comstock course. There are 7 USPSA cardboard targets.

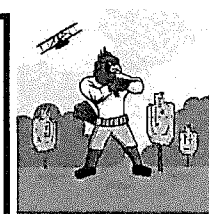
The start position is heels touching marks. Handgun loaded and holstered, wrists below belt. PCC is loaded with safety on, stock on belt, muzzle generally downrange.

Upon the audible start signal engage targets from within the shooting area.

Are there any questions? You have five minutes to inspect the stage.



2021 Area 6 Championship
Stage: 7 – Wagon Wheel
Course Designer: Gerrit Heinrich



START POSITION: Standing on X's

Flat

GUN READY CONDITION: Loaded gun in holster, wrists below belt.

PCC: Loaded buttstock on belt, muzzle generally downrange.

STAGE PROCEDURE: Upon start signal, engage targets as they become available from within the shooting area.

SCORING: Comstock, 12 rounds, 60 points

TARGETS: 6 USPSA

SCORED HITS: Best 2 per paper

START-STOP: Audible - Last shot

RULES: USPSA current edition

