

Retreat from Surrender

RULES: Practical Shooting Handbook, Latest Edition **COURSE DESIGNER:** Joe Moran

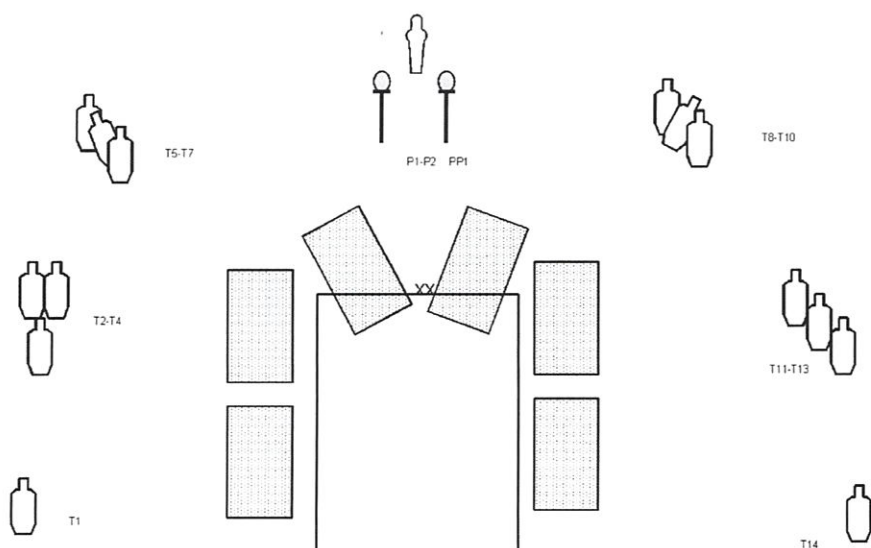
START POSITION: Standing on XX facing down range, Wrist Above Shoulder (Surrender), handgun is loaded and holstered per 8.1.1, 8.1.2

STAGE PROCEDURE

On signal, engage targets as they become visible from within fault lines.

SCORING

SCORING: Comstock, 31 rounds, 155 points
TARGETS: 14 IPSC, 1 PP, 2 Plates
SCORED HITS: Best 2 per IPSC, steel down = 1A
START-STOP: Audible - Last shot
PENALTIES: Procedural. -10
 No-shoot hit. -10
 Miss. -10



Set up notes:

RO Notes: Keep gun pointed down range while backing up. Watch 180.

Cow Bell

RULES: Practical Shooting Handbook, Latest Edition **COURSE DESIGNER:** Joe Moran

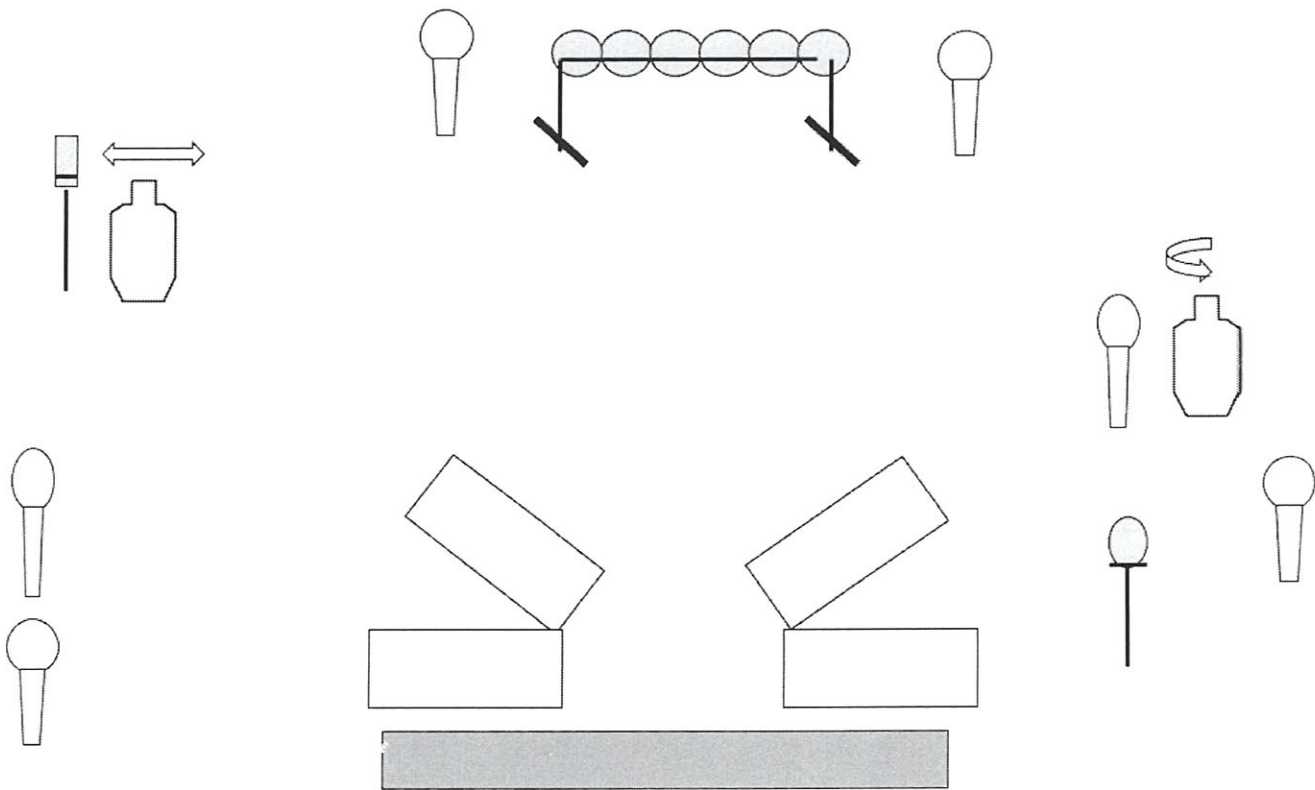
START POSITION: Standing on XX hand gun is loaded and holstered per 8.1.1, 8.1.2, PCC held with stock touching belt.

STAGE PROCEDURE

On signal, engage targets from within the fault lines.

SCORING

SCORING: Comstock, 18 rounds, 90 points
TARGETS: 2 IPSC, 14 Steel
SCORED HITS: Best 2 per IPSC, Steel Down
START-STOP: Audible - Last shot
PENALTIES: Procedural. -10
 No-shoot hit. -10



XX

SETUP NOTES:

RO NOTES:

Three and Two

RULES: Practical Shooting Handbook, Latest Edition **COURSE DESIGNER:** Joe Moran

START POSITION: Standing on XX, Handgun is loaded and holstered per 8.1.1, 8.1.2 PCC held with Stock touching belt

STAGE PROCEDURE

On signal, engage T1-T2 with 3 rounds each, T3-T6 with 2 rounds each, PP 1-4 from within the fault lines.

SCORING

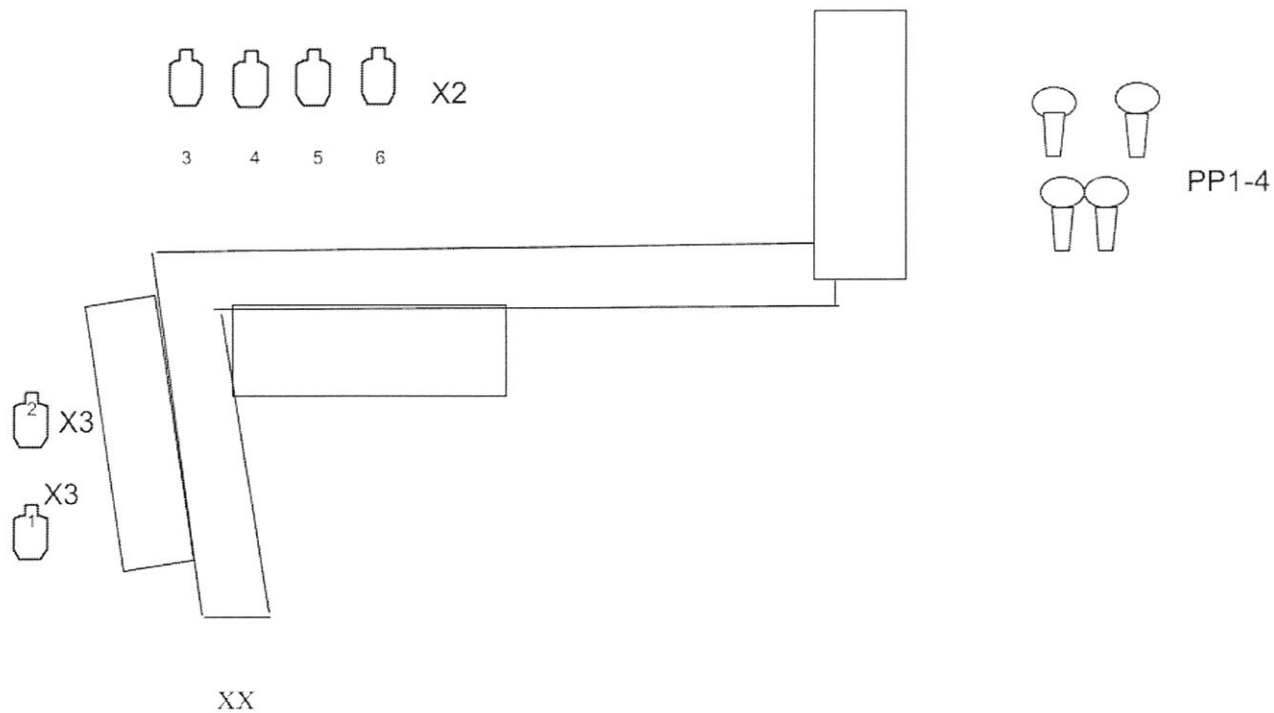
SCORING: Comstock, 18 rounds, 90 points

TARGETS: 6 IPSC, 4 PP

SCORED HITS: T1-T2 Best 3, T3-T6 Best 2 per IPSC, Steel must fall

START-STOP: Audible - Last shot

PENALTIES: Procedural. -10
No-shoot hit. -10
Miss. -10



[22-04] Calm Before the Storm

Written Stage Briefing

Calm Before the Storm is a 16 round Virginia Count, Speed Shoot. There are 4 USPSA cardboard targets. The best 4 hits per target will score.

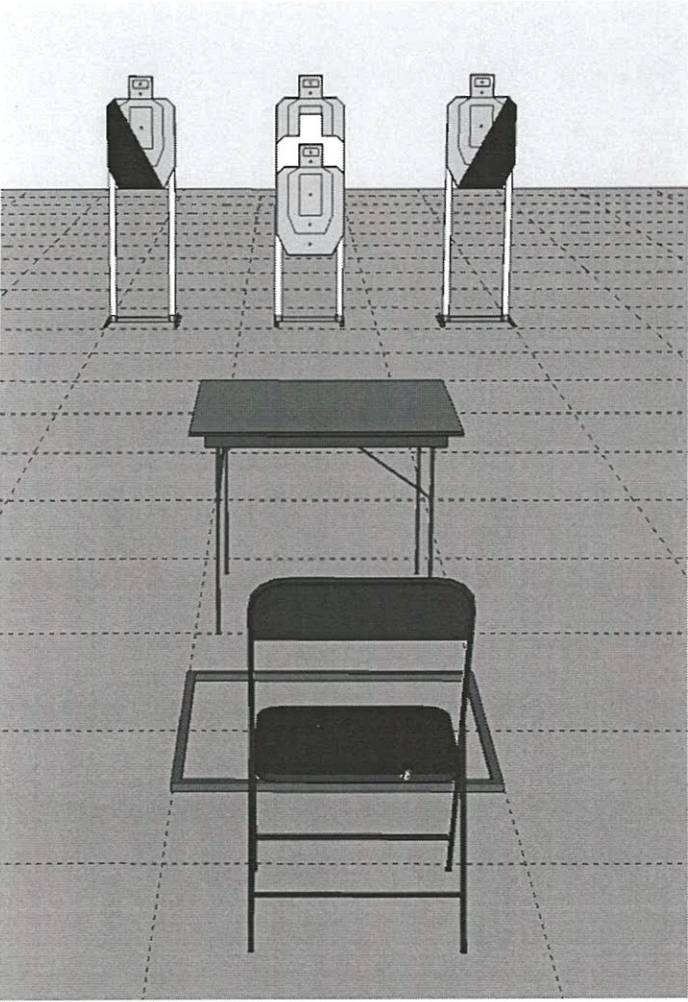
The start position is completely outside the shooting area, seated in chair, hands on knees, toes touching rear fault line. Firearm is loaded and lying flat on table, not propped, muzzle generally downrange. All loading devices to be used must be staged on table.

On audible start signal, engage any two targets with four rounds each, then perform a mandatory reload, and engage the remaining two targets with four rounds each from within the shooting area.

Are there any questions? You have five minutes to inspect the stage.

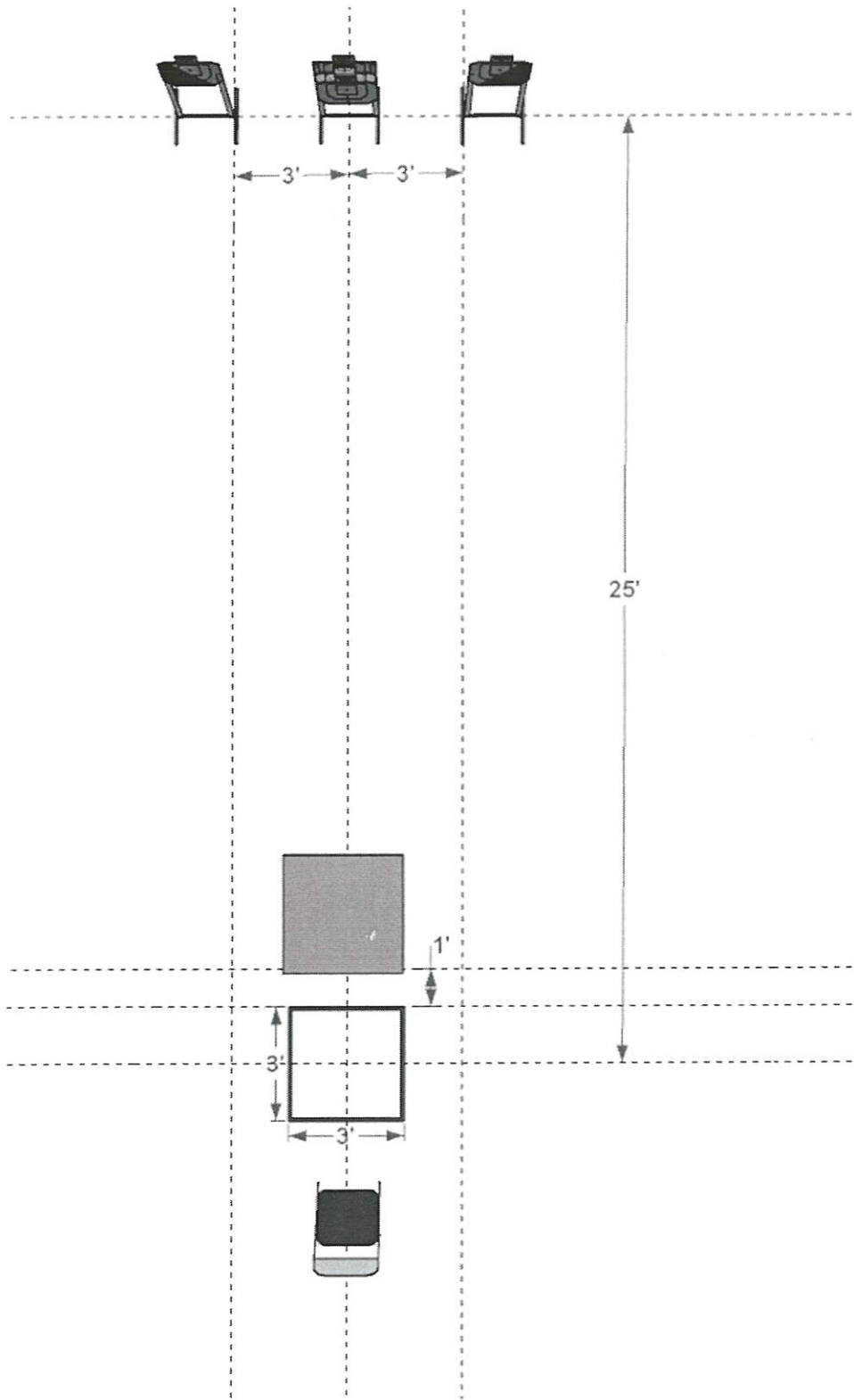


Calm Before the Storm Setup (3 ft x 3 ft grid)



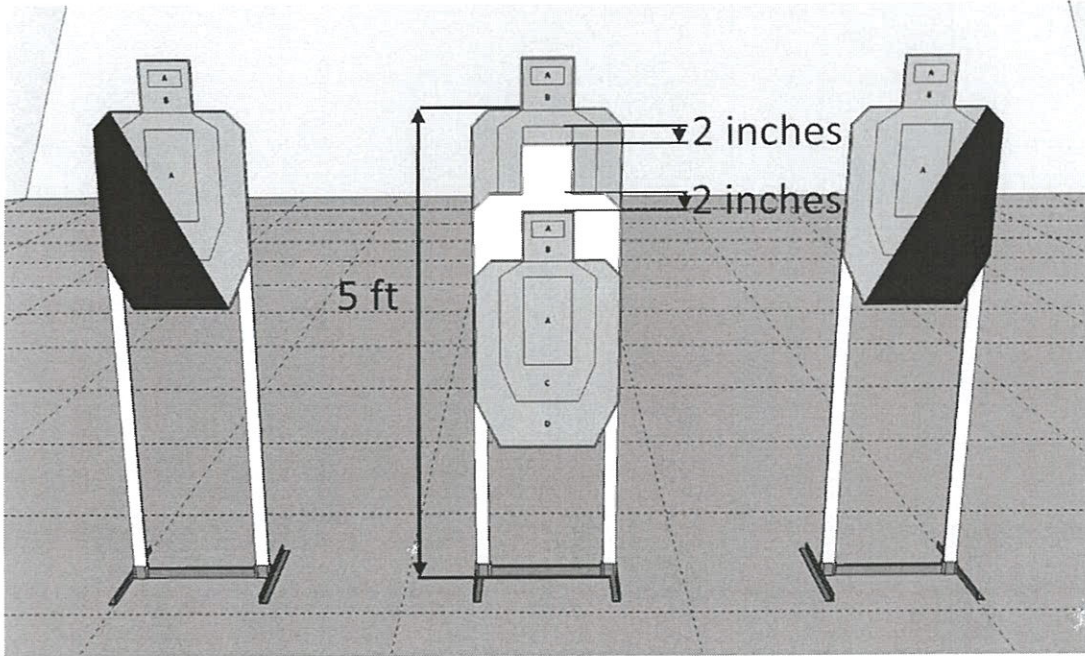
Overhead view

Edge of table is 1 foot away from shooting area.



Target Detail

All targets are 5 foot high at top of shoulders. For the center array, the top of the no-shoot is 2 inches below the top of the lower A-zone perforation. The top of the bottom scoring target is 2 inches below the shoulder of the no-shoot.





CM 20-01

Wish You Were Here

Scoring: Comstock course of fire

Targets: 5 USPSA cardboard targets 2 fullsize USPSA Poppers

Rounds: 12

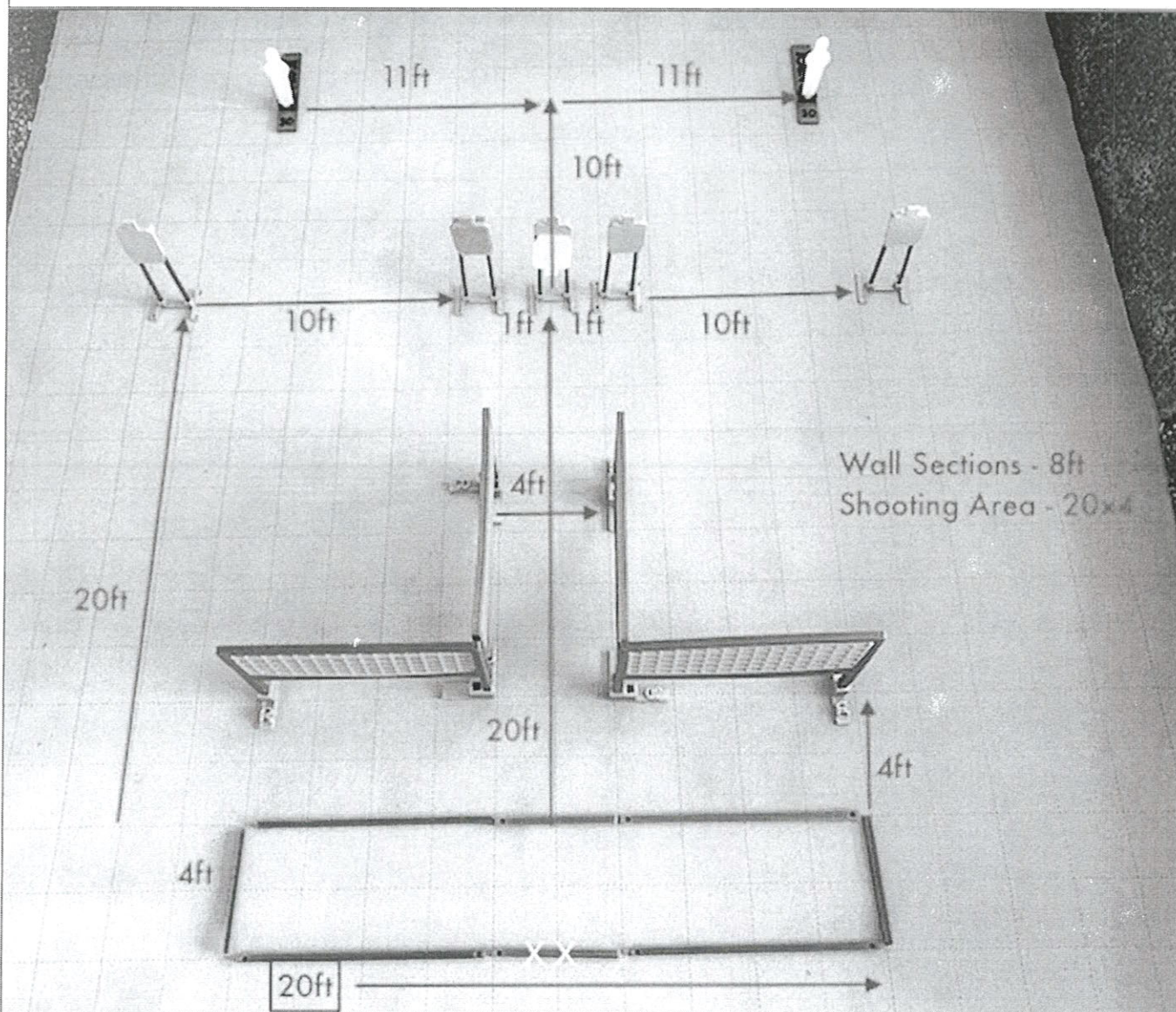
Condition: Loaded and holstered

Start Position: Feet touching marks, wrists below belt.

PCC stock on belt generally downrange

The start is audible

Procedure: Engage targets from within the shooting area.



SETUP NOTES

Targets are 5' to top of target.

No Shoot inverted at 5 inches below A zone perf.

CM 20-01 Wish You Were Here

Written Stage Briefing

Wish You Were Here is a 12 round, 60-point, Comstock Classifier course. There are 5 USPSA targets and 2 USPSA Poppers.

The handgun start position is standing inside the shooting area, feet touching marks, wrists below belt, with handgun loaded and holstered.

The PCC start position is standing inside the shooting area, feet touching marks, loaded PCC held in both hands, safety on, stock touching belt, muzzle generally downrange.

On the audible start signal, engage targets as they become available from within the shooting area.

