

# Kyle and Eli

**RULES:** Practical Shooting Handbook, Latest Edition **COURSE DESIGNER:** Joe Moran

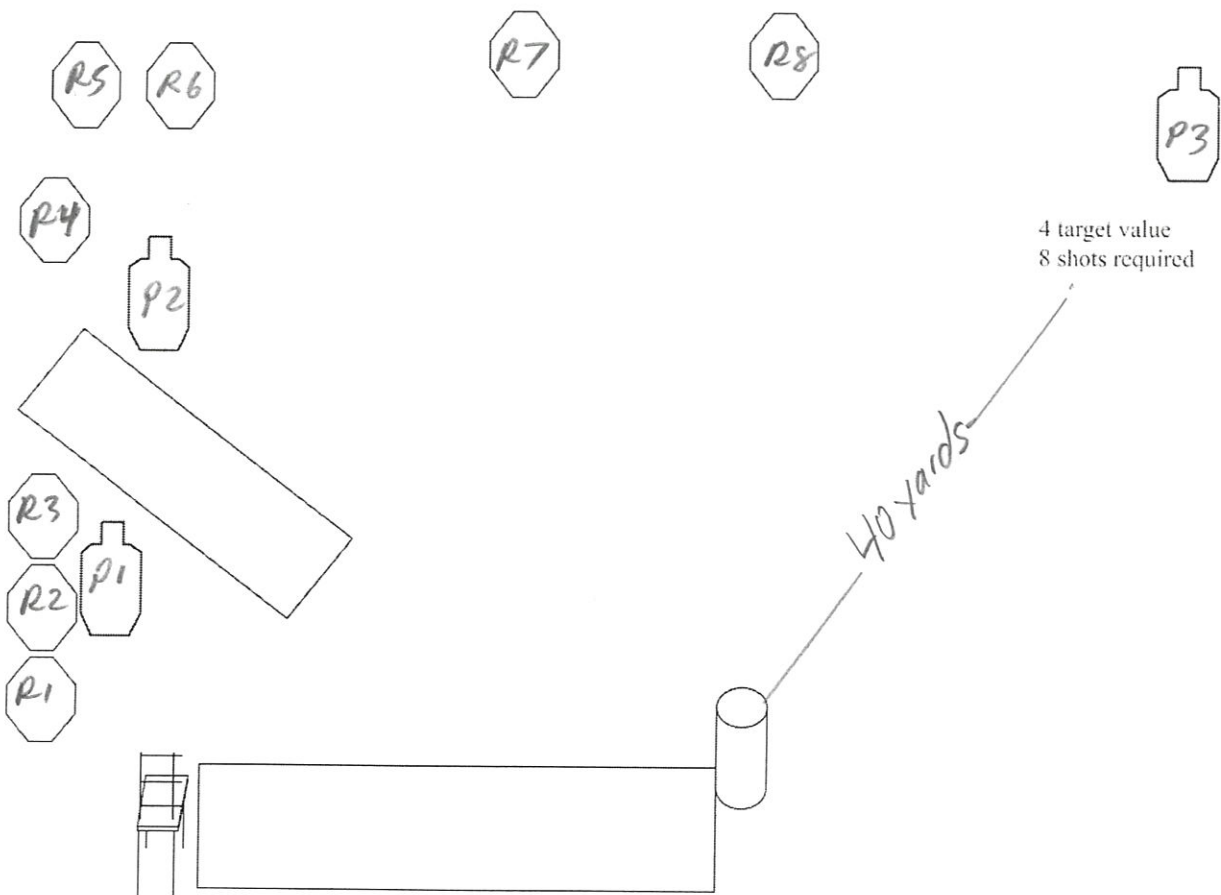
**START POSITION:** Sitting on chair, rifle is loaded laying across legs, pistol is loaded and holster.

### STAGE PROCEDURE

On signal, engage Rifle targets 1-3 while sitting in the chair. engage remaining rifle targets from within fault lines. Place safe rifle in barrel and engage pistol targets from within fault lines. P3 holds the value of 4 targets and must be shot 8 times.

### SCORING

**SCORING:** Comstock, 28 rounds , 140 points  
**TARGETS:** 11 Paper  
**SCORED HITS:** Best 2per Paper, P3 Best 8,  
**START-STOP:** Audible - Last shot  
**PENALTIES:** Procedural. -10  
 No-shoot hit. -10  
 Miss. -10



### Set up notes:

Rifle 16  
 Pistol 12  
 P3 is 40 Yards from fault lines

**RO Notes:** P3 holds the value of 4 targets and must be shot 8 times  
 R1-R3 must be shot sitting down.

# Shotgun L

**RULES:** Practical Shooting Handbook, Latest Edition **COURSE DESIGNER:** Joe Moran

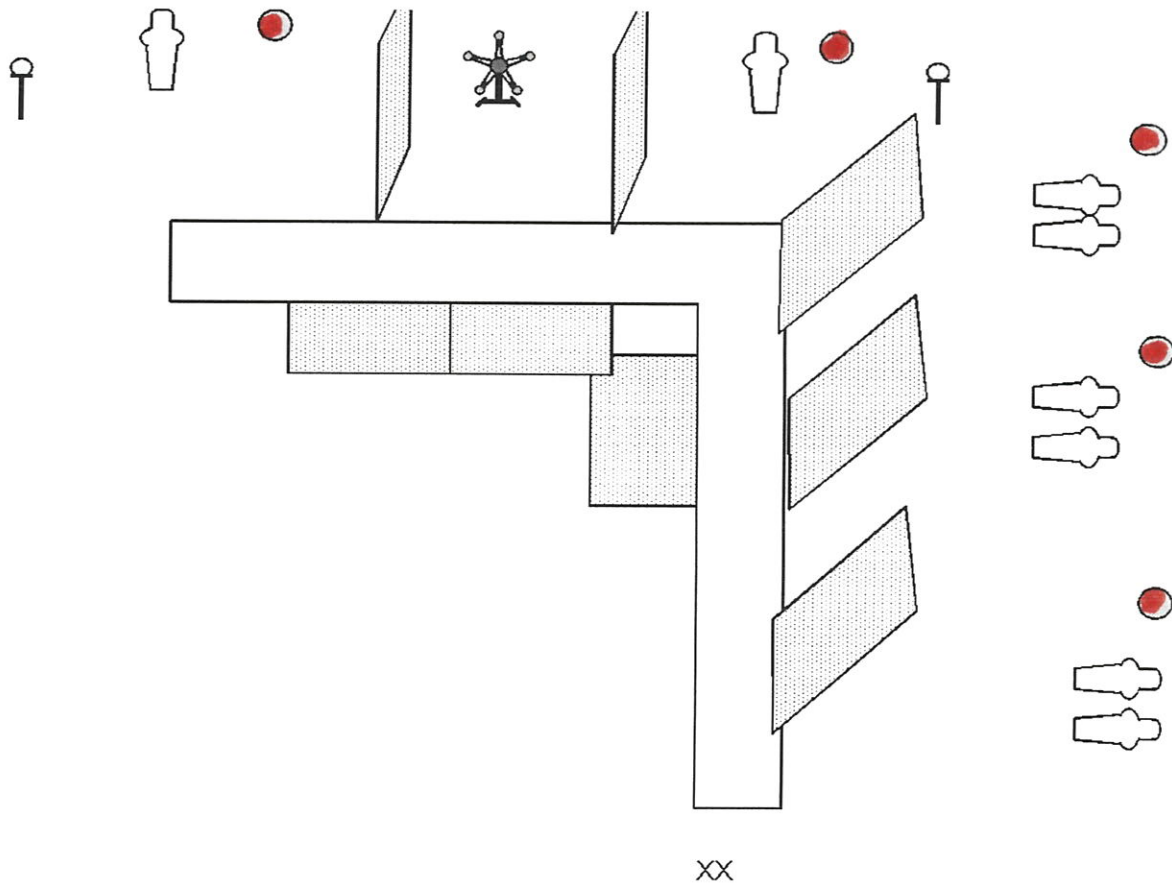
**START POSITION:** Standing on XX, shotgun loaded held at low ready

### STAGE PROCEDURE

On signal, enter shooting area and engage targets as they become visible from within fault lines.

### SCORING

**SCORING:** Comstock, 20 rounds, 100 points  
**TARGETS:** 5 Fragment, 8 PP, 7 Plates  
**SCORED HITS:** Best per IPSC, steel down = 1A  
**START-STOP:** Audible - Last shot  
**PENALTIES:** Procedural. -10  
No-shoot hit. -10  
Miss. -10



### Set up notes:

20 bird shot

### RO Notes:

# Pistol Shotgun

**RULES:** Practical Shooting Handbook, Latest Edition **COURSE DESIGNER:** Joe Moran

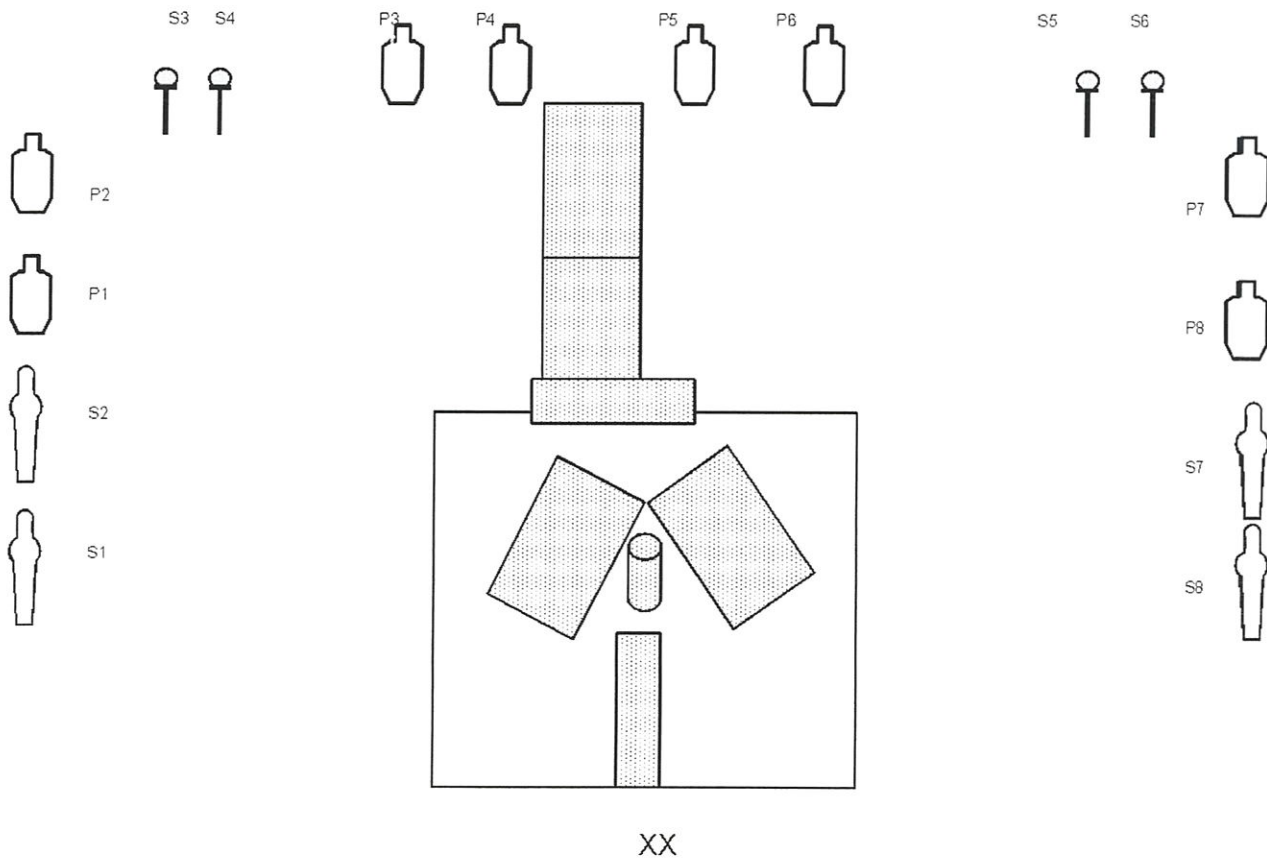
**START POSITION:** Standing on XX. Pistol loaded and holstered, Shotgun loaded and held at low ready

### STAGE PROCEDURE

On Signal, from within fault lines, engage S1-S8 with shotgun only. Place safe shotgun in barrel and engage P1-P8 2 rounds each with pistol.

### SCORING

**SCORING:** Comstock, 24 rounds, 120 points  
**TARGETS:** 8 IPSC, 4 PP, 4 plates  
**SCORED HITS:** Best 2 per IPSC, steel down = 1A  
**START-STOP:** Audible - Last shot  
**PENALTIES:** Procedural. -10  
 No-shoot hit. -10  
 Miss. -10



### Set up notes:

16 Pistol  
 8 Birdshot

### RO Notes: