

# Quick as you can

**RULES:** Practical Shooting Handbook, Latest Edition    **COURSE DESIGNER:** Bob Houston

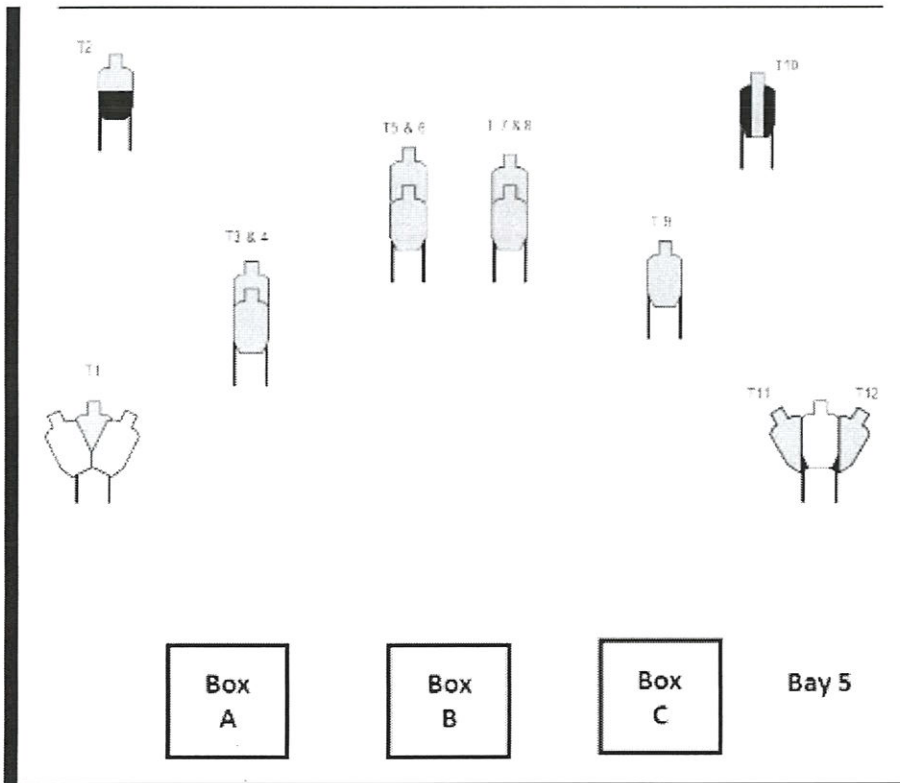
**START POSITION:** Standing in box A or C, handgun is loader and holstered per 8.1.1, 8.1.2

### STAGE PROCEDURE

On signal engage T1-T4 from box A only, T5-T8 from box B only, T9-T12 from box C only.

### SCORING

**SCORING:** Comstock, 24 rounds, 120 points  
**TARGETS:** 12 IPSC,  
**SCORED HITS:** Best 2 per IPSC, steel down = 1A  
**START-STOP:** Audible - Last shot  
**PENALTIES:** Procedural. -10  
No-shoot hit. -10  
Miss. -10



Set up notes:

RO Notes:

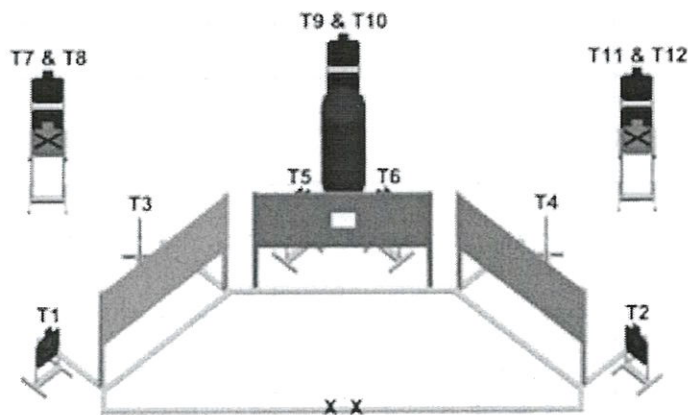
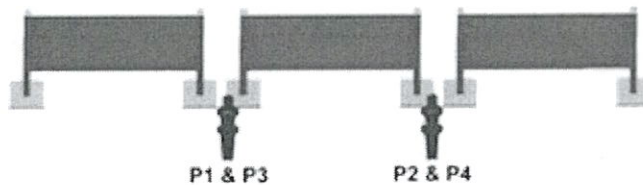
**WaltInPA.com - 023****Close Quarters Combat**

Rules: Practical Shooting Handbook, Latest Edition

Designer: Walt White

**Start Position:** Standing inside shooting area, heels on X's. Handgun is loaded and holstered as per ready condition in rule 8.1.1 and 8.1.2**Stage Procedure**

Engage T1 through T12 and P1 through P4 only from within the Free Fire Zone only.

**Scoring****Scoring:** Comstock, 28 Rounds, 140 Points**Targets:** 12 IPSC, 4 Steel**Scored Hits:** Best 2/paper, KD = 1 A**Start - Stop:** Audible - Last Shot**Penalties:** Per current edition USPSA Practical Shooting Handbook

# Rock and Roll

# Stage 3

**RULES:** Practical Shooting Handbook, Latest Edition    **COURSE DESIGNER:** Joe Moran

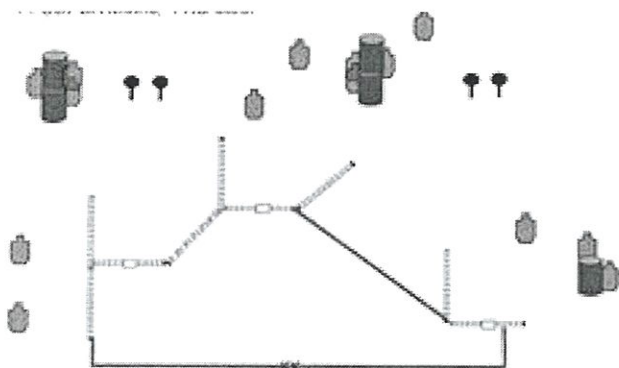
**START POSITION:** Standing on XX, handgun is loader and holstered per 8.1.1, 8.1.2

### STAGE PROCEDURE

On signal engage targets as they become visible from within fault lines.

### SCORING

**SCORING:** Comstock, 32 rounds , 160 points  
**TARGETS:** 14 IPSC, 4 Plates  
**SCORED HITS:** Best 2 per IPSC, steel down = 1A  
**START-STOP:** Audible - Last shot  
**PENALTIES:** Procedural. -10  
No-shoot hit. -10  
Miss. -10



Set up notes:

RO Notes:



2015 USPSA AREA 8 CHAMPIONSHIP MATCH

Stage 5 In the Middle of it

Course Designer: Christian Vet Viverette

AREA 8

START POSITION: Standing outside of free fire zone toes on marks on either left or right side, hands relaxed at sides.

GUN READY CONDITION: Firearm is loaded and holstered

STAGE PROCEDURE: Upon start signal, engage targets as required to score from within the Fault lines.

SCORING:	Comstock, 28 rounds, 140 points
TARGETS:	14 Metric
SCORED HITS:	Best 2 per paper
START-STOP:	Audible - Last shot
RULES:	USPSA current edition

