

RULES: Practical Shooting Handbook, Latest Edition COURSE DESIGNER: Joe Moran

START POSITION: Standing in box A, hands relaxed, handgun loaded and holstered 8.1.1, 8.1.2 PCC held with shock touching belt and safety on.

STAGE PROCEDURE

On signal, engage T1-T3 from box A with 2 rounds each .  
Repeat from box B, C, D

SCORING

SCORING: Comstock, 24 rounds, 120 points  
TARGETS: 3 IPIC,  
SCORED HITS: 8 per paper steel down = 1A  
START-STOP: Audible - Last shot  
PENALTIES: Procedural -10  
No-shoot hit - 10  
Miss -10



5 yard

D

10 yard

C

15 yard

B

20 yard

A

SETUP NOTES:  
18 Pistol

RO NOTES:

RULES: Practical Shooting Handbook, Latest Edition COURSE DESIGNER: BILL MARRS

START POSITION STANDING IN BOX A, FACING DOWNRANGE, WRISTS ABOVE RESPECTIVE SHOULDERS, HANDGUN LOADED AND HOLSTERED PER RULE 8.1

STAGE PROCEDURE

UPON AUDIBLE START ENGAGE ALL TARGETS AS THEY BECOME VISIBLE FROM WITHIN FAULT LINES ONLY. BOX A IS NOT WITHIN THE FAULT LINES.

SCORING

SCORING: Comstock, 25 rounds, 125 points

TARGETS: 10 IPSC, 4 PP, 1 USP

SCORED HITS: Best 2 per IPSC, steel down= 1A

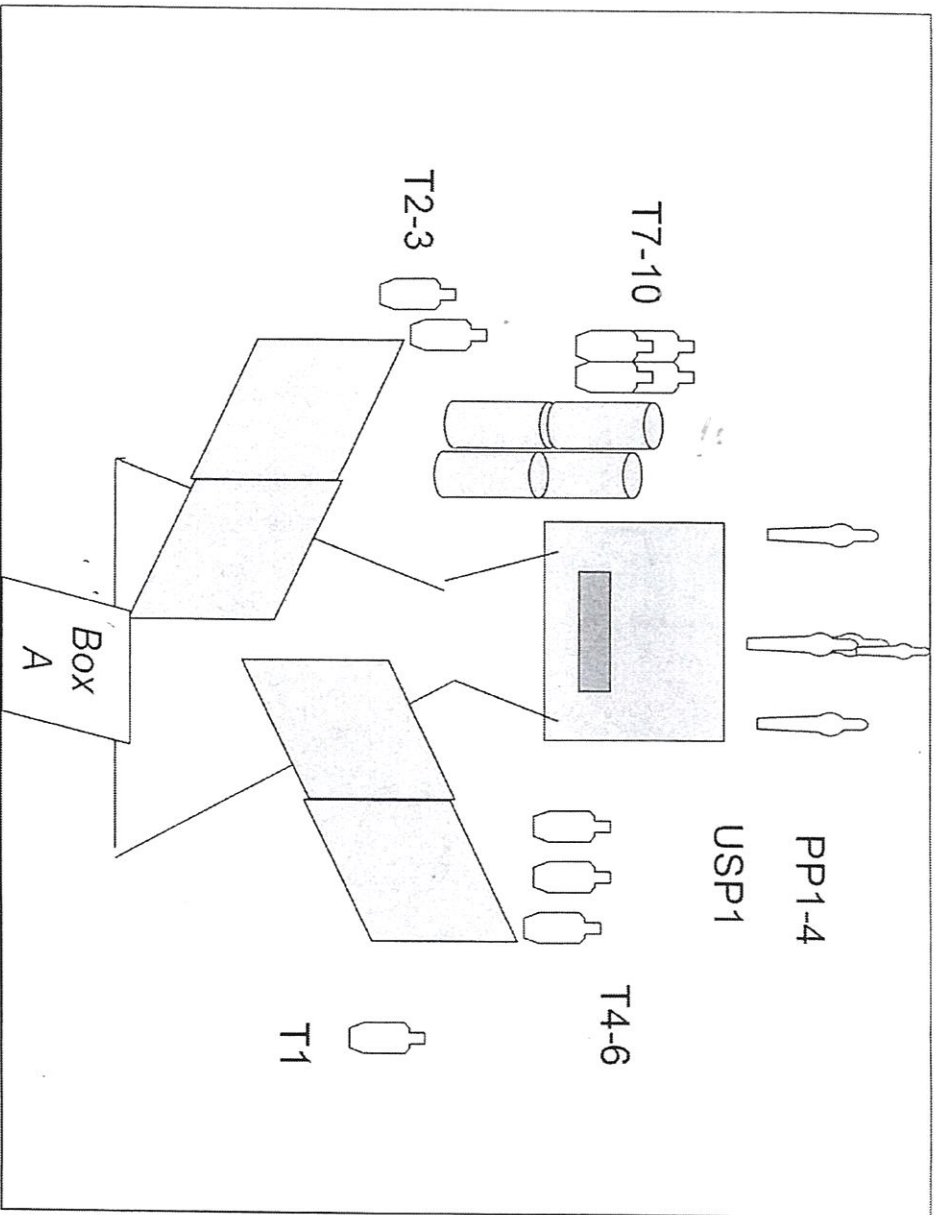
START-STOP: Audible - Last shot

PENALTIES:

Procedural, -10

No-shoot hit, -10

Miss, -10



SETUP NOTES:

RO NOTES:

# Did You Miss Us?

Rules: Practical Shooting Handbook, Latest Edition

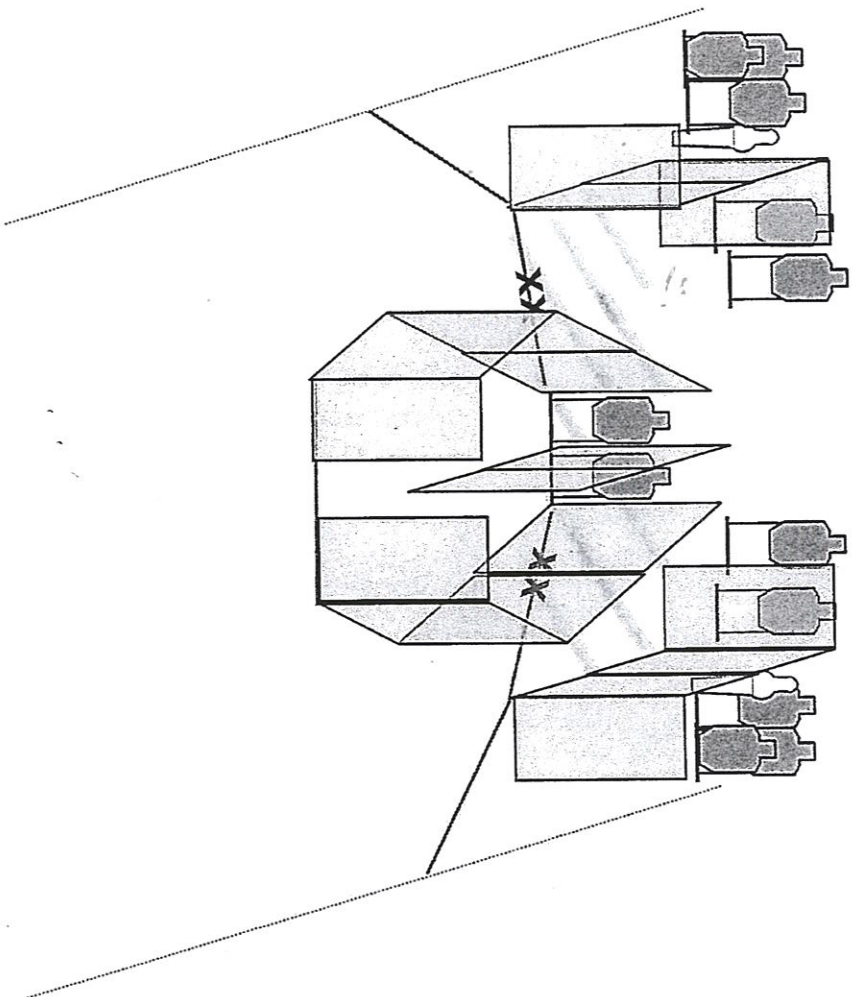
Course Designer: Gerard Gingco

**Start Position:** Standing facing downrange with toes on either set of marks, gun loaded and holstered.

**STAGE PROCEDURE:** Engage targets from behind the fault lines only.

**Forbidden action:** traversing across yellow hashed area.

<b>SCORING:</b>	<b>SCORING</b>
<b>TARGETS:</b>	Constock, 26 rnds, 130 pts
<b>SCORING HITS:</b>	12 Metric, 2 USP
<b>START-STOP:</b>	Best 2 per paper, Steel fall = 1A
<b>PENALTIES:</b>	Audible – Last shot fired
	As per USPSA handbook



Notes to Construction:

Notes to RO:

# TOE the LINE

RULES: Practical Shooting Handbook, Latest Edition COURSE DESIGNER: E.D. Hill, Fox News

START POSITION: Facing uprange, back to the targets with feet on the "X X".

**STAGE PROCEDURE**

On signal, turn draw and engage T1 through T12 as you see them from within AREA B.

**SCORING**

SCORING: Constock, 24 rounds, 120 points

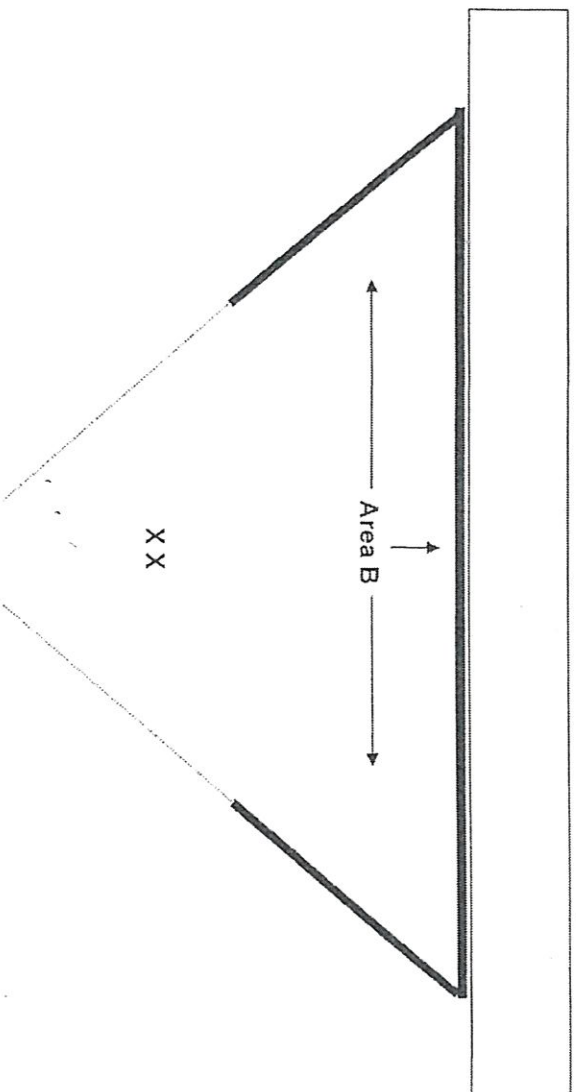
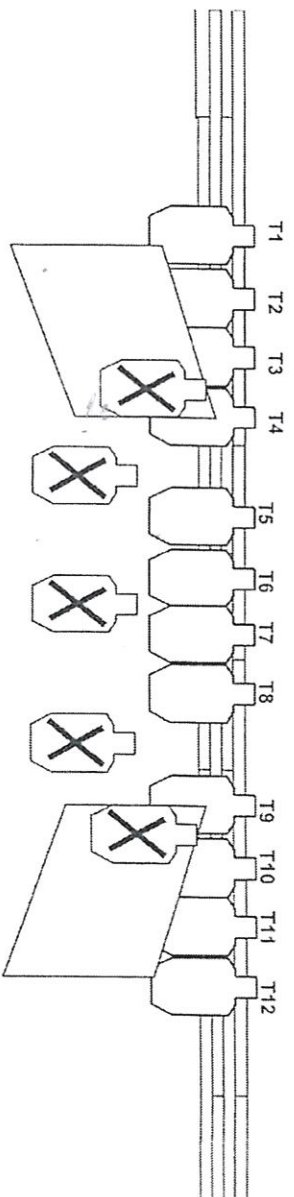
TARGETS: 12 IPSC Paper Targets

SCORED HITS: Best 2 per IPSC Target

START-STOP: Audible - Last shot

PENALTIES: Procedural - 10

No-shoot hit - 10  
Miss - 10



SETUP NOTES:

RO NOTES:





RULES: USPSA Handgun Competition Rules, current edition COURSE DESIGNER: 2007 1911 Design Team

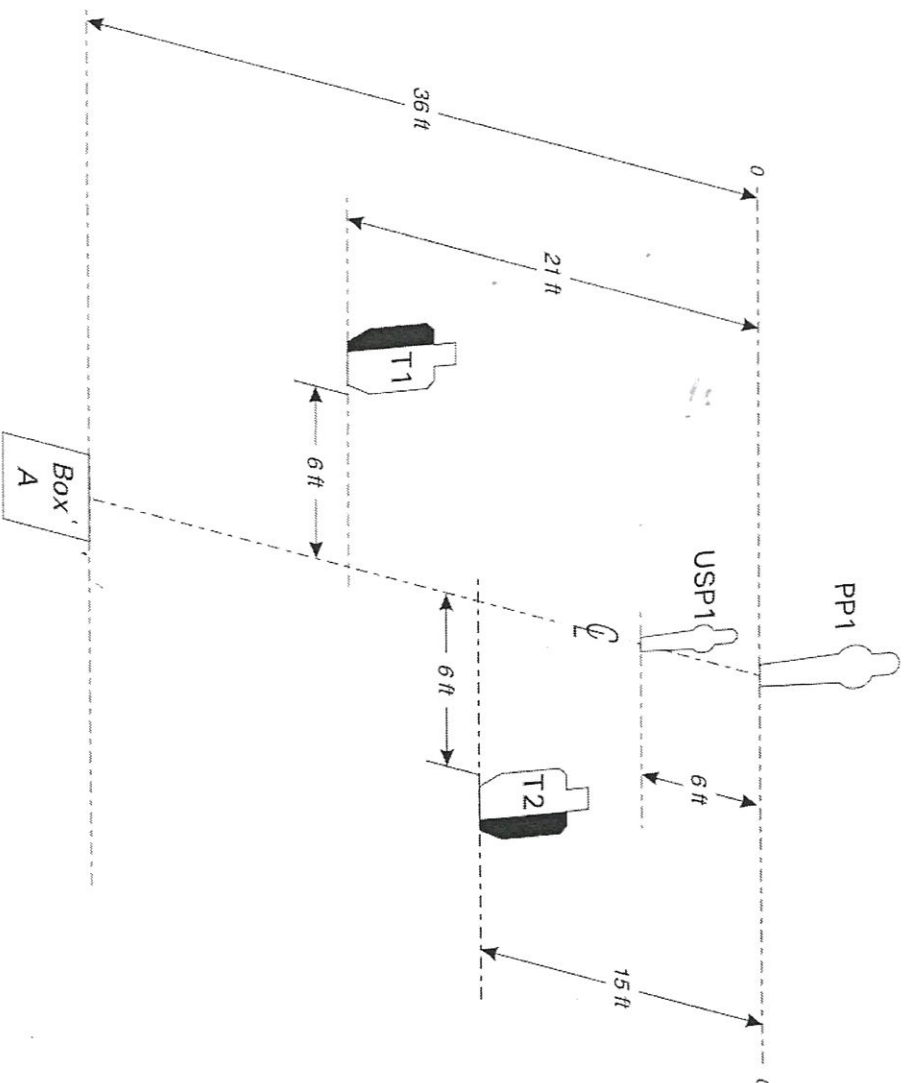
**START POSITION:** Standing facing uprange, shoulders square to back of box, toes against back of shooting box. Wrists above respective shoulders. Handgun is loaded and holstered as per ready condition in rule 8.1.1 and 8.1.2.

**STAGE PROCEDURE**

On signal, turn then draw and engage T1-T2 and PP1-USP1 from within the fault lines.

**SCORING**

**SCORING:** Constock, 6 rounds, 30 points  
**TARGETS:** 2 Metric, 1 Pepper popper, 1 Mini-pepper  
**SCORED HITS:** Best 2/paper, KD = 1A  
**START - STOP:** Audible - Last shot  
**PENAL TIES:** Per current edition of USPSA Handgun Competition Rules



**SETUP NOTES:** Set targets T1 and T2 to 5 feet high at shoulders. Box A is 3 feet by 3 feet.



08-03

Six

Written Stage Briefing

Six is a 6 round, 30-point Comstock Short Course classifier. There are 2 Metric targets, 1 pepper popper and 1 mini popper. The best two hits per paper target will score, steel must fall to score. The start signal is audible.

The start position is standing in Box A, facing uprange with wrists above respective shoulders, toes against the marks. Your gun will be loaded and holstered.

PCC start position is standing in Box A, facing downrange, stock on belt, muzzle downrange, loaded carbine held in both hands with safety on.

On the start signal, turn, then draw and engage T1-T2, PP1-PP2 as they become visible from within the fault lines. No turn for PCC.

