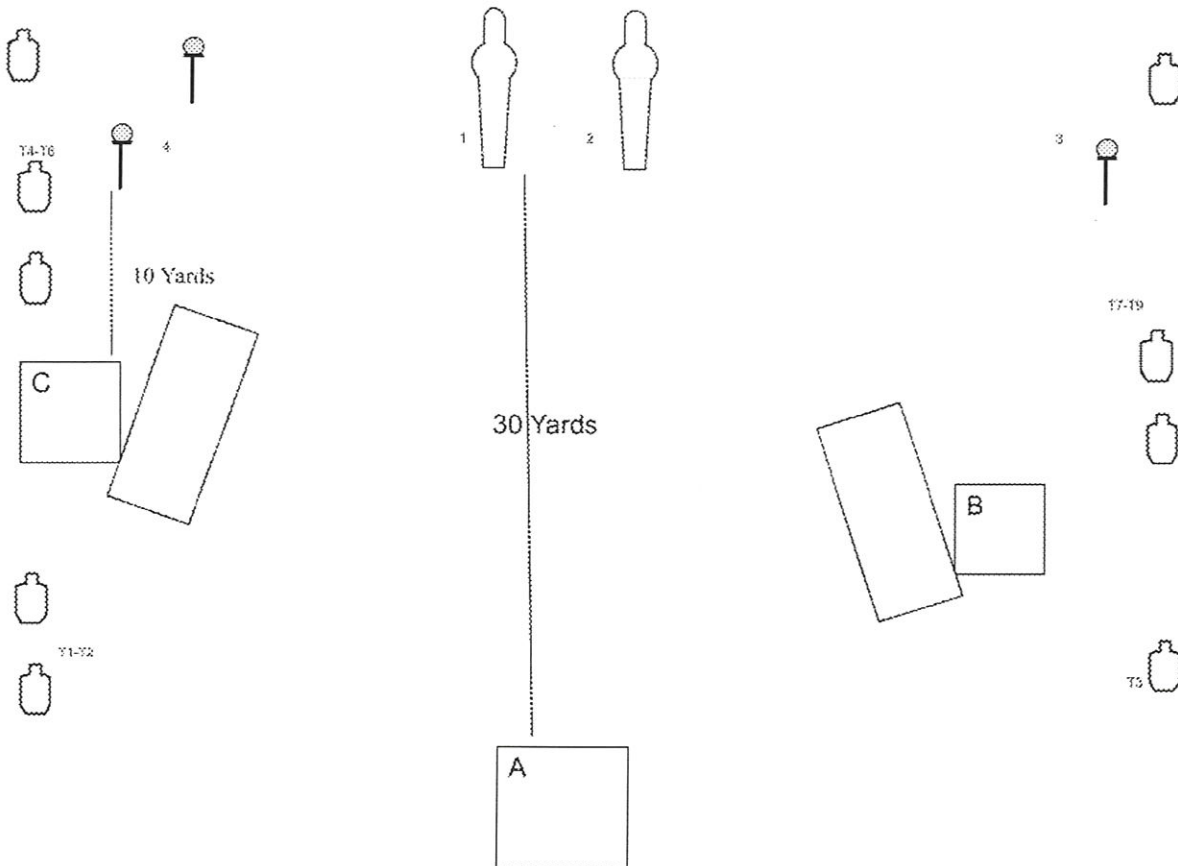


Box Hopping

RULES: Practical Shooting Handbook, Latest Edition **COURSE DESIGNER:** Joe Moran

START POSITION: Feet in any box, handgun is loader and holstered per 8.1.1, 8.1.2 PCC held with stock touching belt

STAGE PROCEDURE	SCORING
On signal engage targets as they become visible from within fault lines.	<p>SCORING: Comstock, 23 rounds , 115 points TARGETS: 9 IPSC, 5 PP / Plates SCORED HITS: Best 2 per IPSC, steel down = 1A START-STOP: Audible - Last shot PENALTIES: Procedural. -10 No-shoot hit. -10 Miss. -10</p>



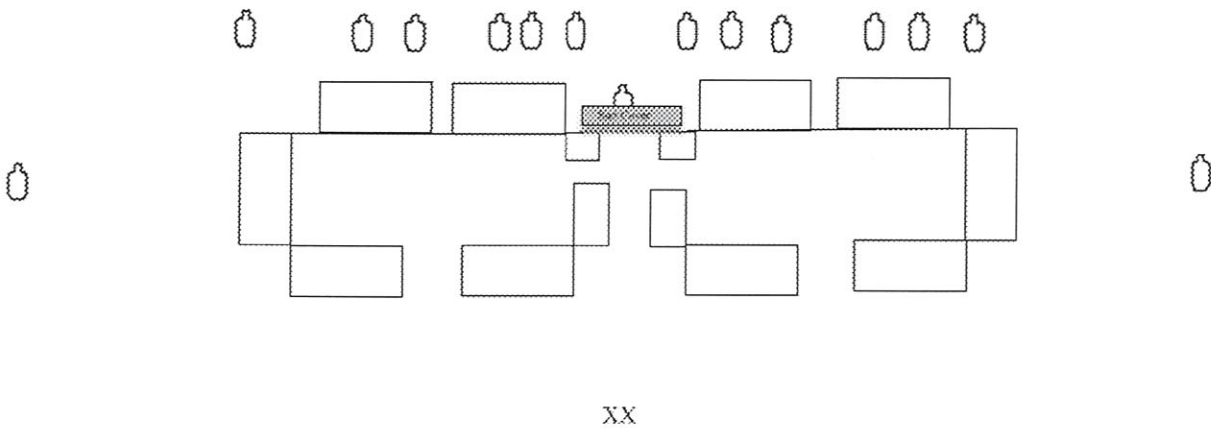
<p>Set up notes: Set walls so PP are visible from all 3 boxes</p>	<p>RO Notes:</p>
--	-------------------------

2 Fun Houses

RULES: Practical Shooting Handbook, Latest Edition **COURSE DESIGNER:** Joe Moran

START POSITION: Feet on XX, handgun is loader and holstered per 8.1.1, 8.1.2 PCC held with stock touching belt

STAGE PROCEDURE	SCORING
On signal engage targets as they become visible from within fault lines.	SCORING: Comstock, 15 rounds, 150 points TARGETS: 15 IPSC, , SCORED HITS: Best 2 per IPSC, steel down = 1A START-STOP: Audible - Last shot PENALTIES: Procedural. -10 No-shoot hit. -10 Miss. -10



Set up notes:	RO Notes:
----------------------	------------------

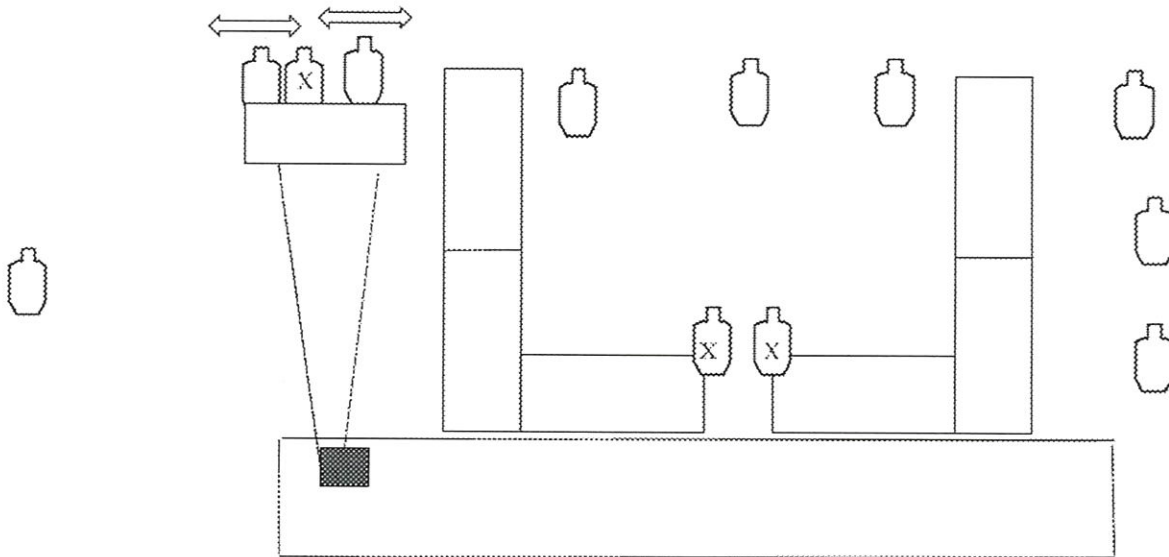
9 Quick

RULES: Practical Shooting Handbook, Latest Edition **COURSE DESIGNER:** Joe Moran

START POSITION: Feet anywhere OUTSIDE fault lines, handgun is loader and holstered per 8.1.1, 8.1.2 PCC held with stock touching belt

STAGE PROCEDURE	SCORING
On signal engage targets as they become visible from within fault lines.	SCORING: Comstock, 10 rounds, 90 points TARGETS: 9 IPSC, 1 PP, SCORED HITS: Best 2 per IPSC, steel down = 1A START-STOP: Audible - Last shot PENALTIES: Procedural. -10 No-shoot hit. -10 Miss. -10

Peek a boo Swinger



Set up notes:

RO Notes:



2021 Area 6 Championship
Stage: 8 – Magic Carpet Ride
Course Designer: Bruce Wells

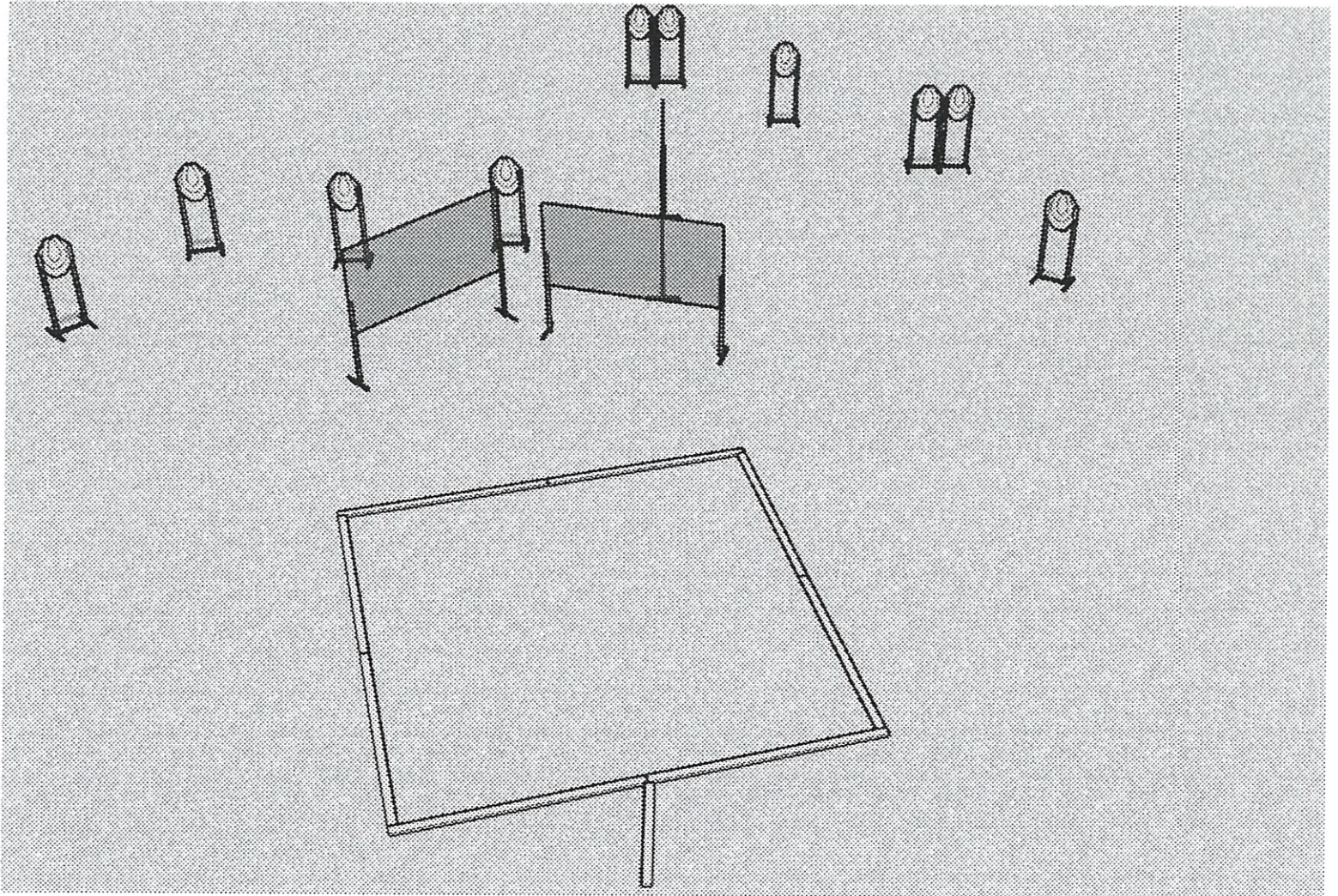


START POSITION: Straddling start stick outside of shooting area.

GUN READY CONDITION: Loaded gun in holster, wrists below belt.
PCC: Loaded buttstock on belt, muzzle generally downrange.

SCORING: Comstock, 20 rounds, 100 points
TARGETS: 10 IPSC
SCORED HITS: Best 2 per paper
START-STOP: Audible - Last shot
RULES: USPSA current edition

STAGE PROCEDURE: Upon start signal, engage targets as they become available from within the shooting area.





CM 19-02

Hi-Way Robbery

RULES: USPSA Handgun Competition Rules, current edition. Course Designer: David Jenkins

STAGE PROCEDURE

Start Position: Standing in the shooting area, wrist below belt, heels touching rear fault-line

Gun Ready Condition: Loaded and holstered
On signal engage targets as available.

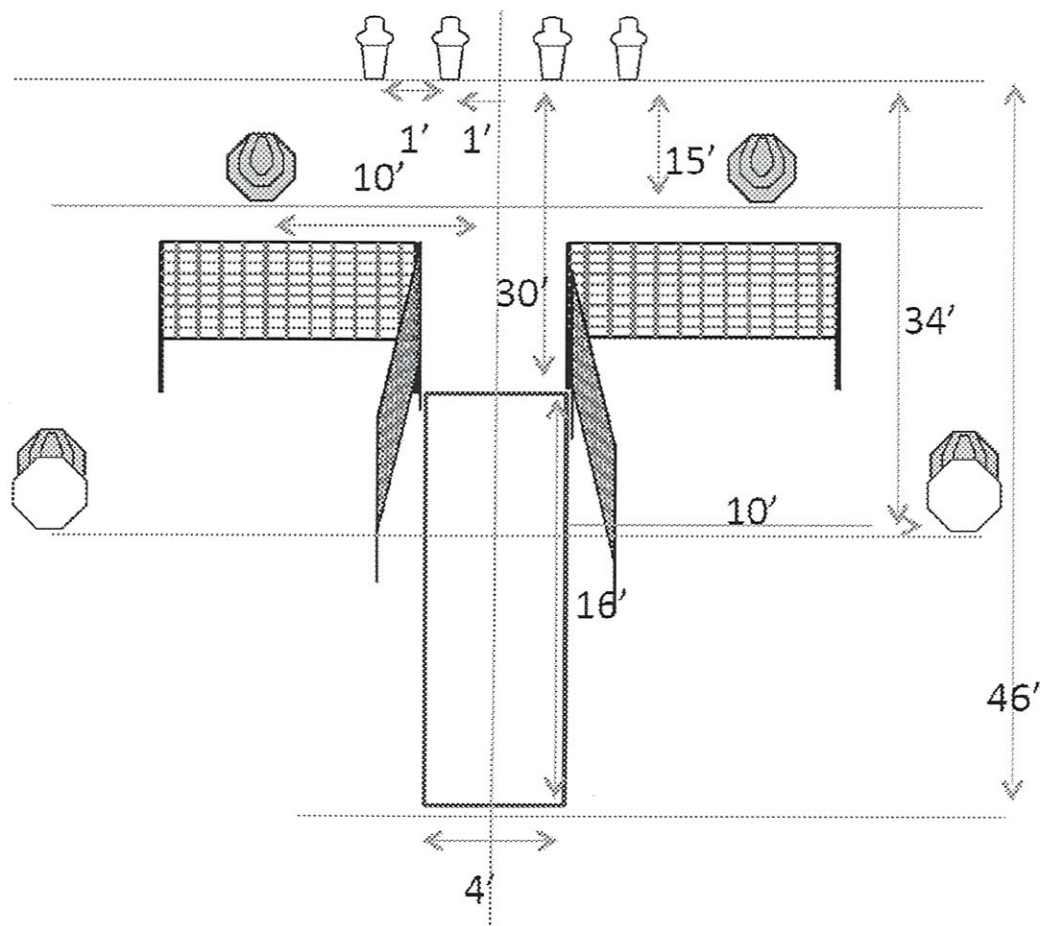
Scoring: Comstock, 12 Rounds

Targets: 4 IPSC, 4 USPSA Mini PP

Scored Hits: Best 2 Steel 1 A

Start - Stop: Audible - Last Shot

Penalties: Per current edition of USPSA Handgun Competition Rules.



SETUP NOTES: Targets are 5' to top of target, NS are "point to point" at the A zone letter. Targets are spaced edge to edge. Up-range walls placed right against faultline.



CM 19-02

Hi-Way Robbery

Hi-Way Robbery is a 12 round, 60-point, Comstock Short Course. There are 4 IPSC targets and 4 USPSA mini poppers. The best 2 hits per cardboard will score and steel must fall to score.

The handgun start position is standing inside shooting area, facing downrange, heels touching rear fault line, wrists below belt with handgun loaded and holstered.

The PCC start position is standing inside shooting area, facing downrange, heels touching rear fault line, holding loaded PCC with safety on, stock on belt, and muzzle pointing downrange.

On the audible start signal, engage targets as they become available from within the shooting area.

